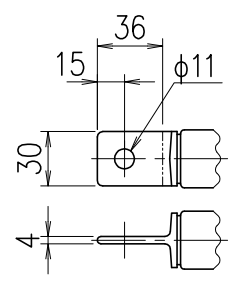
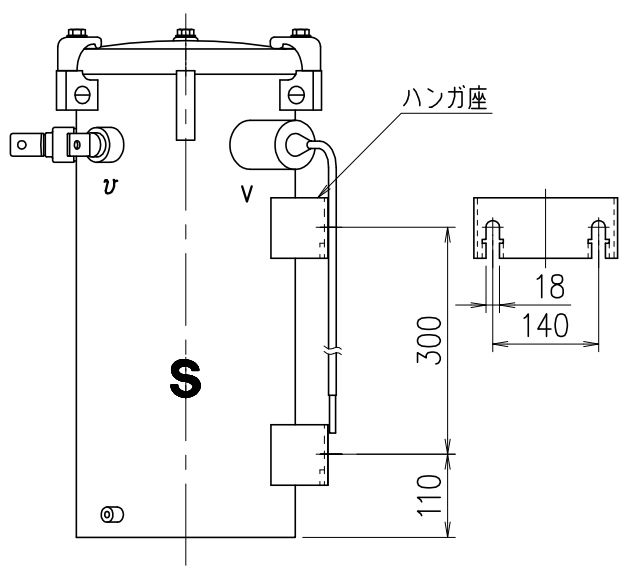
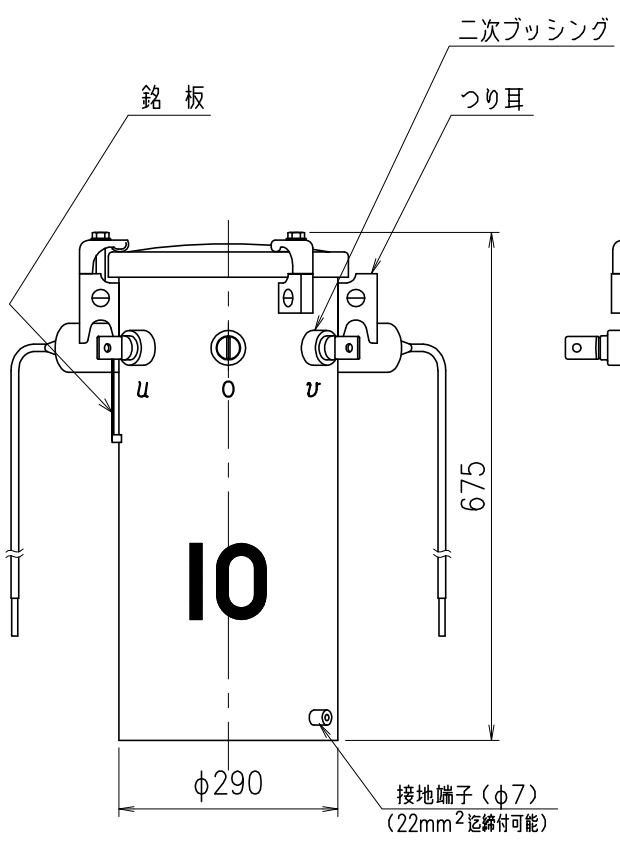


|      |                              |     |
|------|------------------------------|-----|
| 容量   | 10                           | kVA |
| 相数   | 1                            |     |
| 周波数  | 50 / 60                      | Hz  |
| 一次電圧 | F6.75/R6.6/F6.45/F6.3/6.15kV |     |
| 二次電圧 | 210/105                      | V   |
| 油量   | 21                           | l   |
| 総質量  | 90                           | kg  |
| 表面処理 | 亜鉛めっき+塗装                     |     |



二次端子詳細図



|              |       |
|--------------|-------|
| 塗装色 (マンセル記号) | ( )   |
| 発送時タップ電圧     | ( ) V |

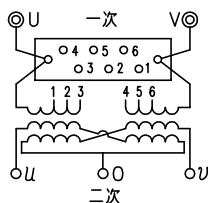
|                |      |             |
|----------------|------|-------------|
| 承認 APPROVED BY | 海老沼  | 2014-01-20  |
| 調査 CHECKED BY  | 石島   | 2014-01-20  |
| 設計 DESIGNED BY | 田口   | 2014-01-20  |
| 尺度 SCALE       | 1/10 | 単位 UNITS mm |

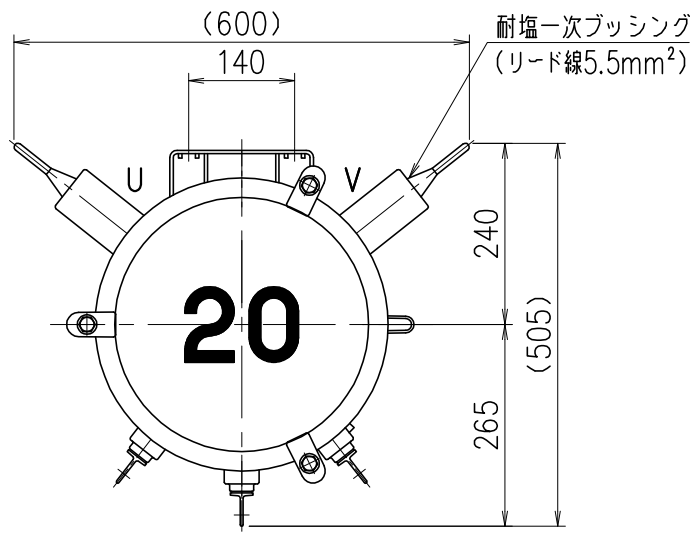
|                  |           |
|------------------|-----------|
| 名称 TITLE         | トッランナー変圧器 |
| 図面番号 DRAWING NO. | NSA001480 |



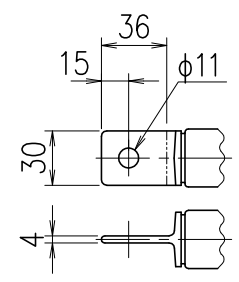
秘密情報 目的外使用・複製・開示禁止

|    |    |     |    |    |    |
|----|----|-----|----|----|----|
| △  |    |     |    |    |    |
| 変更 | 担当 | 年月日 | 記事 | 調査 | 承認 |

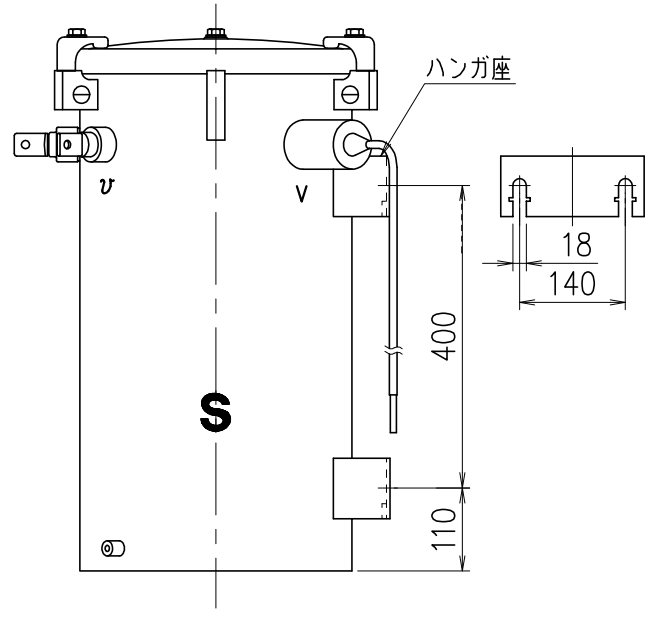
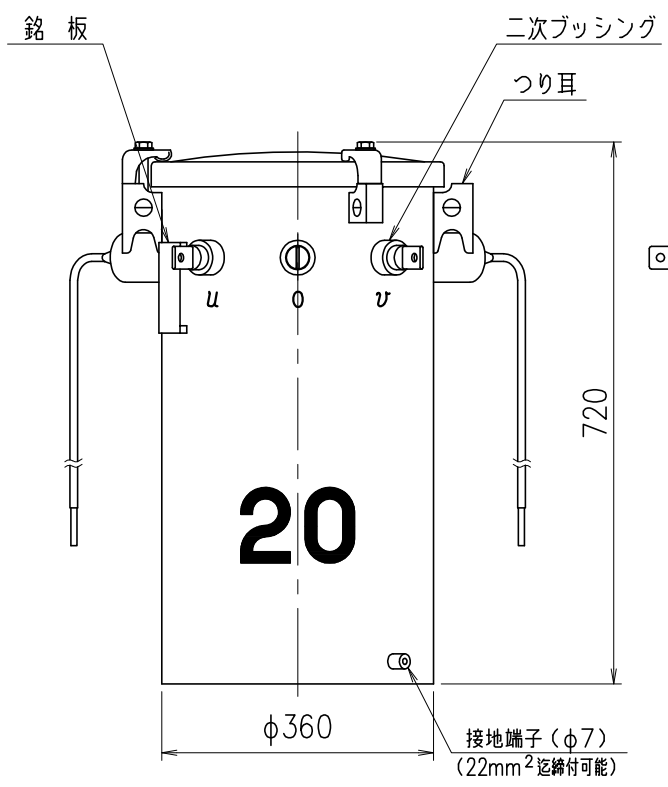
|                | 1  | 2                  | 3                         | 4          |            |               |      |                           |                |       |               |          |      |             |  |      |       |          |  |  |         |  |      |  |  |        |    |        |        |    |       |     |     |      |      |       |     |     |      |            |       |     |                    |  |  |       |     |  |  |  |      |     |  |  |  |     |       |    |      |     |  |      |     |
|----------------|--|--------------------|---------------------------|------------|------------|---------------|------|---------------------------|----------------|-------|---------------|----------|------|-------------|--|------|-------|----------|--|--|---------|--|------|--|--|--------|----|--------|--------|----|-------|-----|-----|------|------|-------|-----|-----|------|------------|-------|-----|--------------------|--|--|-------|-----|--|--|--|------|-----|--|--|--|-----|-------|----|------|-----|--|------|-----|
| A              | <div data-bbox="582 353 1197 1361" data-label="Complex-Block"> <p style="text-align: center;"><b>強化耐塩形変圧器</b><br/>油入自冷式<br/>JIS C 4304 (2013)</p> <table border="1" style="width: 100%;"> <tr> <td>相数</td> <td>1</td> <td>定格電圧</td> <td>一次 6600 V<br/>二次 210/105 V</td> </tr> <tr> <td>形式</td> <td>PS-DW</td> <td colspan="2">短絡インピーダンス (%)</td> </tr> <tr> <td>定格容量</td> <td>10 kVA</td> <td>50Hz</td> <td>60Hz</td> </tr> <tr> <td>定格周波数</td> <td>50/60 Hz</td> <td colspan="2"></td> </tr> </table> <table border="1" style="width: 100%;"> <tr> <th colspan="2">一次タップ電圧</th> <th colspan="3">定格二次</th> </tr> <tr> <th>電圧 (V)</th> <th>接続</th> <th>電圧 (V)</th> <th>電流 (A)</th> <th>端子</th> </tr> <tr> <td>F6750</td> <td>3-4</td> <td>210</td> <td>47.6</td> <td>U, V</td> </tr> <tr> <td>R6600</td> <td>3-5</td> <td>105</td> <td>47.6</td> <td>U, 0, V, 0</td> </tr> <tr> <td>F6450</td> <td>2-5</td> <td colspan="3">温度上昇限度 巻線65K, 油60K</td> </tr> <tr> <td>F6300</td> <td>2-6</td> <td colspan="3"></td> </tr> <tr> <td>6150</td> <td>1-6</td> <td colspan="3"></td> </tr> </table> <div style="text-align: center;">  <p>一次 二次</p> </div> <table border="1" style="width: 100%;"> <tr> <td>総質量</td> <td>90 kg</td> </tr> <tr> <td>油量</td> <td>21 L</td> </tr> <tr> <td>製造年</td> <td></td> </tr> <tr> <td>製造番号</td> <td>JCK</td> </tr> </table> <div style="border: 1px solid black; padding: 5px; margin-top: 10px;"> <ul style="list-style-type: none"> <li>・危険物の品名：第四類第三石油類</li> <li>・危険物の等級：Ⅲ</li> <li>・化学名：絶縁油</li> <li>・注意事項：火気厳禁</li> <li>・20度の温度における内容積：34 L</li> <li>・運搬容器の自重：72 kg</li> </ul> </div> <p style="text-align: right;">NSB007755P1</p> <p style="text-align: center;"><b>株式会社 東光高岳</b></p> </div> |                    |                           |            | 相数         | 1             | 定格電圧 | 一次 6600 V<br>二次 210/105 V | 形式             | PS-DW | 短絡インピーダンス (%) |          | 定格容量 | 10 kVA      | 50Hz   | 60Hz | 定格周波数 | 50/60 Hz |  |  | 一次タップ電圧 |  | 定格二次 |  |  | 電圧 (V) | 接続 | 電圧 (V) | 電流 (A) | 端子 | F6750 | 3-4 | 210 | 47.6 | U, V | R6600 | 3-5 | 105 | 47.6 | U, 0, V, 0 | F6450 | 2-5 | 温度上昇限度 巻線65K, 油60K |  |  | F6300 | 2-6 |  |  |  | 6150 | 1-6 |  |  |  | 総質量 | 90 kg | 油量 | 21 L | 製造年 |  | 製造番号 | JCK |
| 相数             | 1  | 定格電圧               | 一次 6600 V<br>二次 210/105 V |            |            |               |      |                           |                |       |               |          |      |             |  |      |       |          |  |  |         |  |      |  |  |        |    |        |        |    |       |     |     |      |      |       |     |     |      |            |       |     |                    |  |  |       |     |  |  |  |      |     |  |  |  |     |       |    |      |     |  |      |     |
| 形式             | PS-DW  | 短絡インピーダンス (%)      |                           |            |            |               |      |                           |                |       |               |          |      |             |  |      |       |          |  |  |         |  |      |  |  |        |    |        |        |    |       |     |     |      |      |       |     |     |      |            |       |     |                    |  |  |       |     |  |  |  |      |     |  |  |  |     |       |    |      |     |  |      |     |
| 定格容量           | 10 kVA   | 50Hz               | 60Hz                      |            |            |               |      |                           |                |       |               |          |      |             |  |      |       |          |  |  |         |  |      |  |  |        |    |        |        |    |       |     |     |      |      |       |     |     |      |            |       |     |                    |  |  |       |     |  |  |  |      |     |  |  |  |     |       |    |      |     |  |      |     |
| 定格周波数          | 50/60 Hz   |                    |                           |            |            |               |      |                           |                |       |               |          |      |             |  |      |       |          |  |  |         |  |      |  |  |        |    |        |        |    |       |     |     |      |      |       |     |     |      |            |       |     |                    |  |  |       |     |  |  |  |      |     |  |  |  |     |       |    |      |     |  |      |     |
| 一次タップ電圧        |  | 定格二次               |                           |            |            |               |      |                           |                |       |               |          |      |             |  |      |       |          |  |  |         |  |      |  |  |        |    |        |        |    |       |     |     |      |      |       |     |     |      |            |       |     |                    |  |  |       |     |  |  |  |      |     |  |  |  |     |       |    |      |     |  |      |     |
| 電圧 (V)         | 接続   | 電圧 (V)             | 電流 (A)                    | 端子         |            |               |      |                           |                |       |               |          |      |             |  |      |       |          |  |  |         |  |      |  |  |        |    |        |        |    |       |     |     |      |      |       |     |     |      |            |       |     |                    |  |  |       |     |  |  |  |      |     |  |  |  |     |       |    |      |     |  |      |     |
| F6750          | 3-4  | 210                | 47.6                      | U, V       |            |               |      |                           |                |       |               |          |      |             |  |      |       |          |  |  |         |  |      |  |  |        |    |        |        |    |       |     |     |      |      |       |     |     |      |            |       |     |                    |  |  |       |     |  |  |  |      |     |  |  |  |     |       |    |      |     |  |      |     |
| R6600          | 3-5  | 105                | 47.6                      | U, 0, V, 0 |            |               |      |                           |                |       |               |          |      |             |  |      |       |          |  |  |         |  |      |  |  |        |    |        |        |    |       |     |     |      |      |       |     |     |      |            |       |     |                    |  |  |       |     |  |  |  |      |     |  |  |  |     |       |    |      |     |  |      |     |
| F6450          | 2-5  | 温度上昇限度 巻線65K, 油60K |                           |            |            |               |      |                           |                |       |               |          |      |             |  |      |       |          |  |  |         |  |      |  |  |        |    |        |        |    |       |     |     |      |      |       |     |     |      |            |       |     |                    |  |  |       |     |  |  |  |      |     |  |  |  |     |       |    |      |     |  |      |     |
| F6300          | 2-6  |                    |                           |            |            |               |      |                           |                |       |               |          |      |             |  |      |       |          |  |  |         |  |      |  |  |        |    |        |        |    |       |     |     |      |      |       |     |     |      |            |       |     |                    |  |  |       |     |  |  |  |      |     |  |  |  |     |       |    |      |     |  |      |     |
| 6150           | 1-6  |                    |                           |            |            |               |      |                           |                |       |               |          |      |             |  |      |       |          |  |  |         |  |      |  |  |        |    |        |        |    |       |     |     |      |      |       |     |     |      |            |       |     |                    |  |  |       |     |  |  |  |      |     |  |  |  |     |       |    |      |     |  |      |     |
| 総質量            | 90 kg  |                    |                           |            |            |               |      |                           |                |       |               |          |      |             |  |      |       |          |  |  |         |  |      |  |  |        |    |        |        |    |       |     |     |      |      |       |     |     |      |            |       |     |                    |  |  |       |     |  |  |  |      |     |  |  |  |     |       |    |      |     |  |      |     |
| 油量             | 21 L   |                    |                           |            |            |               |      |                           |                |       |               |          |      |             |  |      |       |          |  |  |         |  |      |  |  |        |    |        |        |    |       |     |     |      |      |       |     |     |      |            |       |     |                    |  |  |       |     |  |  |  |      |     |  |  |  |     |       |    |      |     |  |      |     |
| 製造年            |  |                    |                           |            |            |               |      |                           |                |       |               |          |      |             |  |      |       |          |  |  |         |  |      |  |  |        |    |        |        |    |       |     |     |      |      |       |     |     |      |            |       |     |                    |  |  |       |     |  |  |  |      |     |  |  |  |     |       |    |      |     |  |      |     |
| 製造番号           | JCK  |                    |                           |            |            |               |      |                           |                |       |               |          |      |             |  |      |       |          |  |  |         |  |      |  |  |        |    |        |        |    |       |     |     |      |      |       |     |     |      |            |       |     |                    |  |  |       |     |  |  |  |      |     |  |  |  |     |       |    |      |     |  |      |     |
| B              |  |                    |                           |            |            |               |      |                           |                |       |               |          |      |             |  |      |       |          |  |  |         |  |      |  |  |        |    |        |        |    |       |     |     |      |      |       |     |     |      |            |       |     |                    |  |  |       |     |  |  |  |      |     |  |  |  |     |       |    |      |     |  |      |     |
| C              |  |                    |                           |            |            |               |      |                           |                |       |               |          |      |             |  |      |       |          |  |  |         |  |      |  |  |        |    |        |        |    |       |     |     |      |      |       |     |     |      |            |       |     |                    |  |  |       |     |  |  |  |      |     |  |  |  |     |       |    |      |     |  |      |     |
| D              | 60   |                    |                           |            |            |               |      |                           |                |       |               |          |      |             |  |      |       |          |  |  |         |  |      |  |  |        |    |        |        |    |       |     |     |      |      |       |     |     |      |            |       |     |                    |  |  |       |     |  |  |  |      |     |  |  |  |     |       |    |      |     |  |      |     |
| E              | 厚さ t0.5<br>材質 SUS304   |                    |                           |            |            |               |      |                           |                |       |               |          |      |             |  |      |       |          |  |  |         |  |      |  |  |        |    |        |        |    |       |     |     |      |      |       |     |     |      |            |       |     |                    |  |  |       |     |  |  |  |      |     |  |  |  |     |       |    |      |     |  |      |     |
| F              | <table border="1" style="width: 100%;"> <tr> <td>承認 APPROVED BY</td> <td>海老沼</td> <td>2014-02-05</td> </tr> <tr> <td>調査 CHECKED BY</td> <td>田口</td> <td>2014-02-05</td> </tr> <tr> <td>設計 DESIGNED BY</td> <td>石島</td> <td>2014-02-05</td> </tr> <tr> <td>尺度 SCALE</td> <td>1/</td> <td>単位 UNITS mm</td> </tr> </table>  |                    | 承認 APPROVED BY            | 海老沼        | 2014-02-05 | 調査 CHECKED BY | 田口   | 2014-02-05                | 設計 DESIGNED BY | 石島    | 2014-02-05    | 尺度 SCALE | 1/   | 単位 UNITS mm | 名称 TITLE<br><div style="text-align: center; font-size: 24px;">銘板図</div>                                  |      |       |          |  |  |         |  |      |  |  |        |    |        |        |    |       |     |     |      |      |       |     |     |      |            |       |     |                    |  |  |       |     |  |  |  |      |     |  |  |  |     |       |    |      |     |  |      |     |
| 承認 APPROVED BY | 海老沼  | 2014-02-05         |                           |            |            |               |      |                           |                |       |               |          |      |             |  |      |       |          |  |  |         |  |      |  |  |        |    |        |        |    |       |     |     |      |      |       |     |     |      |            |       |     |                    |  |  |       |     |  |  |  |      |     |  |  |  |     |       |    |      |     |  |      |     |
| 調査 CHECKED BY  | 田口   | 2014-02-05         |                           |            |            |               |      |                           |                |       |               |          |      |             |  |      |       |          |  |  |         |  |      |  |  |        |    |        |        |    |       |     |     |      |      |       |     |     |      |            |       |     |                    |  |  |       |     |  |  |  |      |     |  |  |  |     |       |    |      |     |  |      |     |
| 設計 DESIGNED BY | 石島   | 2014-02-05         |                           |            |            |               |      |                           |                |       |               |          |      |             |  |      |       |          |  |  |         |  |      |  |  |        |    |        |        |    |       |     |     |      |      |       |     |     |      |            |       |     |                    |  |  |       |     |  |  |  |      |     |  |  |  |     |       |    |      |     |  |      |     |
| 尺度 SCALE       | 1/   | 単位 UNITS mm        |                           |            |            |               |      |                           |                |       |               |          |      |             |  |      |       |          |  |  |         |  |      |  |  |        |    |        |        |    |       |     |     |      |      |       |     |     |      |            |       |     |                    |  |  |       |     |  |  |  |      |     |  |  |  |     |       |    |      |     |  |      |     |
|                | <table border="1" style="width: 100%;"> <tr> <td>変更</td> <td>担当</td> <td>年月日</td> <td>記事</td> <td>調査</td> <td>承認</td> </tr> <tr> <td>△</td> <td></td> <td></td> <td></td> <td></td> <td></td> </tr> </table>   |                    | 変更                        | 担当         | 年月日        | 記事            | 調査   | 承認                        | △              |       |               |          |      |             | 図面番号 DRAWING NO.<br><div style="text-align: center; font-size: 36px;">NSA001858</div> 秘密情報 目的外使用・複製・開示禁止 |      |       |          |  |  |         |  |      |  |  |        |    |        |        |    |       |     |     |      |      |       |     |     |      |            |       |     |                    |  |  |       |     |  |  |  |      |     |  |  |  |     |       |    |      |     |  |      |     |
| 変更             | 担当   | 年月日                | 記事                        | 調査         | 承認         |               |      |                           |                |       |               |          |      |             |  |      |       |          |  |  |         |  |      |  |  |        |    |        |        |    |       |     |     |      |      |       |     |     |      |            |       |     |                    |  |  |       |     |  |  |  |      |     |  |  |  |     |       |    |      |     |  |      |     |
| △              |  |                    |                           |            |            |               |      |                           |                |       |               |          |      |             |  |      |       |          |  |  |         |  |      |  |  |        |    |        |        |    |       |     |     |      |      |       |     |     |      |            |       |     |                    |  |  |       |     |  |  |  |      |     |  |  |  |     |       |    |      |     |  |      |     |



|      |                              |     |
|------|------------------------------|-----|
| 容量   | 20                           | kVA |
| 相数   | 1                            |     |
| 周波数  | 50 / 60                      | Hz  |
| 一次電圧 | F6.75/R6.6/F6.45/F6.3/6.15kV |     |
| 二次電圧 | 210/105                      | V   |
| 油量   | 36                           | l   |
| 総質量  | 140                          | kg  |
| 表面処理 | 亜鉛メッキ+塗装                     |     |



二次端子詳細図



|              |       |
|--------------|-------|
| 塗装色 (マンセル記号) | ( )   |
| 発送時タップ電圧     | ( ) V |

|                |      |             |
|----------------|------|-------------|
| 承認 APPROVED BY | 海老沼  | 2014-02-11  |
| 調査 CHECKED BY  | 田口   | 2014-02-11  |
| 設計 DESIGNED BY | 石島   | 2014-02-11  |
| 尺度 SCALE       | 1/10 | 単位 UNITS mm |

|                  |            |
|------------------|------------|
| 名称 TITLE         | トップランナー変圧器 |
| 図面番号 DRAWING NO. | NSA001482  |



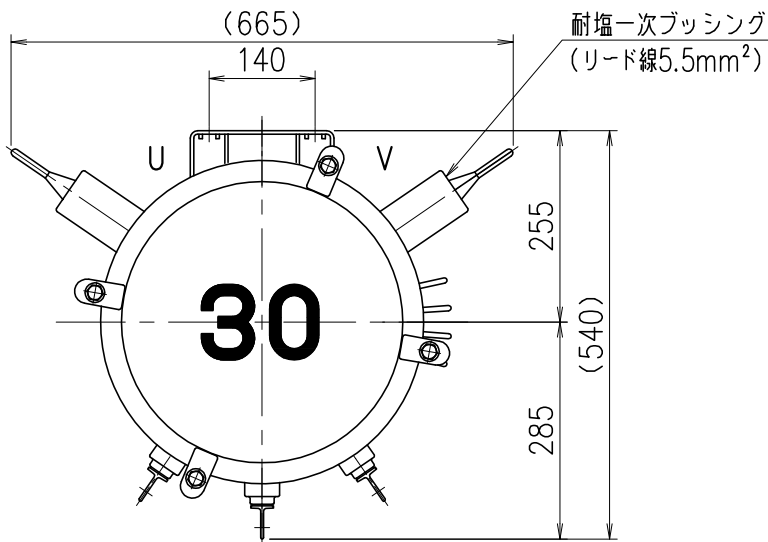
秘密情報 目的外使用・複製・開示禁止

|    |    |     |    |    |    |
|----|----|-----|----|----|----|
| △  |    |     |    |    |    |
| 変更 | 担当 | 年月日 | 記事 | 調査 | 承認 |

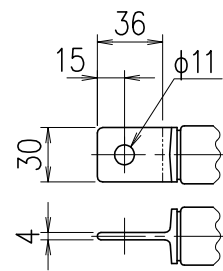
|                    | 1  | 2                  | 3                      | 4          |                |   |            |                        |               |       |            |                |      |            |               |    |              |          |      |      |         |  |      |  |    |        |     |        |        |    |   |     |     |      |      |       |     |     |      |            |                                      |     |                    |  |                    |       |     |  |  |  |      |     |  |  |  |     |        |    |      |     |  |      |     |
|--------------------|--|--------------------|------------------------|------------|----------------|---|------------|------------------------|---------------|-------|------------|----------------|------|------------|---------------|----|--------------|----------|------|------|---------|--|------|--|----|--------|-----|--------|--------|----|---|-----|-----|------|------|-------|-----|-----|------|------------|--------------------------------------|-----|--------------------|--|--------------------|-------|-----|--|--|--|------|-----|--|--|--|-----|--------|----|------|-----|--|------|-----|
| A                  | <div style="border: 1px solid black; padding: 10px; width: fit-content; margin: auto;"> <p style="text-align: center;"><b>強化耐塩形変圧器</b></p> <p style="text-align: center;">油入自冷式</p> <p>JIS C 4304 (2013)</p> <table border="1" style="width: 100%; border-collapse: collapse;"> <tr> <td>相数</td> <td>1</td> <td>定格電圧</td> <td>一次 6600 V</td> </tr> <tr> <td>形式</td> <td>PS-DW</td> <td>二次</td> <td>210/105 V</td> </tr> <tr> <td>定格容量</td> <td>20 kVA</td> <td colspan="2">短絡インピーダンス (%)</td> </tr> <tr> <td>定格周波数</td> <td>50/60 Hz</td> <td>50Hz</td> <td>60Hz</td> </tr> </table> <table border="1" style="width: 100%; border-collapse: collapse; margin-top: 5px;"> <tr> <th colspan="2">一次タップ電圧</th> <th colspan="3">定格二次</th> </tr> <tr> <th>電圧 (V)</th> <th>接続</th> <th>電圧 (V)</th> <th>電流 (A)</th> <th>端子</th> </tr> <tr> <td>F6750</td> <td>3-4</td> <td>210</td> <td>95.2</td> <td>U, V</td> </tr> <tr> <td>R6600</td> <td>3-5</td> <td>105</td> <td>95.2</td> <td>U, 0, V, 0</td> </tr> <tr> <td>F6450</td> <td>2-5</td> <td colspan="3">温度上昇限度 巻線65K, 油60K</td> </tr> <tr> <td>F6300</td> <td>2-6</td> <td colspan="3"></td> </tr> <tr> <td>6150</td> <td>1-6</td> <td colspan="3"></td> </tr> </table> <div style="text-align: center; margin: 10px 0;"> </div> <table border="1" style="width: 100%; border-collapse: collapse; margin-top: 5px;"> <tr> <td>総質量</td> <td>140 kg</td> </tr> <tr> <td>油量</td> <td>36 L</td> </tr> <tr> <td>製造年</td> <td></td> </tr> <tr> <td>製造番号</td> <td>JDK</td> </tr> </table> <div style="border: 1px solid black; padding: 5px; margin-top: 5px;"> <ul style="list-style-type: none"> <li>・危険物の品名：第四類第三石油類</li> <li>・危険物の等級：Ⅲ</li> <li>・化学名：絶縁油</li> <li>・注意事項：火気厳禁</li> <li>・20度の温度における内容積：57 L</li> <li>・運搬容器の自重：109 kg</li> </ul> </div> <p style="text-align: right; margin-right: 20px;">NSB007755P2</p> <p style="text-align: center;"> <b>株式会社 東光高岳</b></p> </div> |                    |                        |            | 相数             | 1   | 定格電圧       | 一次 6600 V              | 形式            | PS-DW | 二次         | 210/105 V      | 定格容量 | 20 kVA     | 短絡インピーダンス (%) |    | 定格周波数        | 50/60 Hz | 50Hz | 60Hz | 一次タップ電圧 |  | 定格二次 |  |    | 電圧 (V) | 接続  | 電圧 (V) | 電流 (A) | 端子 | F6750   | 3-4 | 210 | 95.2 | U, V | R6600 | 3-5 | 105 | 95.2 | U, 0, V, 0 | F6450                                | 2-5 | 温度上昇限度 巻線65K, 油60K |  |                    | F6300 | 2-6 |  |  |  | 6150 | 1-6 |  |  |  | 総質量 | 140 kg | 油量 | 36 L | 製造年 |  | 製造番号 | JDK |
| 相数                 | 1  | 定格電圧               | 一次 6600 V              |            |                |   |            |                        |               |       |            |                |      |            |               |    |              |          |      |      |         |  |      |  |    |        |     |        |        |    |   |     |     |      |      |       |     |     |      |            |                                      |     |                    |  |                    |       |     |  |  |  |      |     |  |  |  |     |        |    |      |     |  |      |     |
| 形式                 | PS-DW  | 二次                 | 210/105 V              |            |                |   |            |                        |               |       |            |                |      |            |               |    |              |          |      |      |         |  |      |  |    |        |     |        |        |    |   |     |     |      |      |       |     |     |      |            |                                      |     |                    |  |                    |       |     |  |  |  |      |     |  |  |  |     |        |    |      |     |  |      |     |
| 定格容量               | 20 kVA   | 短絡インピーダンス (%)      |                        |            |                |   |            |                        |               |       |            |                |      |            |               |    |              |          |      |      |         |  |      |  |    |        |     |        |        |    |   |     |     |      |      |       |     |     |      |            |                                      |     |                    |  |                    |       |     |  |  |  |      |     |  |  |  |     |        |    |      |     |  |      |     |
| 定格周波数              | 50/60 Hz   | 50Hz               | 60Hz                   |            |                |   |            |                        |               |       |            |                |      |            |               |    |              |          |      |      |         |  |      |  |    |        |     |        |        |    |   |     |     |      |      |       |     |     |      |            |                                      |     |                    |  |                    |       |     |  |  |  |      |     |  |  |  |     |        |    |      |     |  |      |     |
| 一次タップ電圧            |  | 定格二次               |                        |            |                |   |            |                        |               |       |            |                |      |            |               |    |              |          |      |      |         |  |      |  |    |        |     |        |        |    |   |     |     |      |      |       |     |     |      |            |                                      |     |                    |  |                    |       |     |  |  |  |      |     |  |  |  |     |        |    |      |     |  |      |     |
| 電圧 (V)             | 接続   | 電圧 (V)             | 電流 (A)                 | 端子         |                |   |            |                        |               |       |            |                |      |            |               |    |              |          |      |      |         |  |      |  |    |        |     |        |        |    |   |     |     |      |      |       |     |     |      |            |                                      |     |                    |  |                    |       |     |  |  |  |      |     |  |  |  |     |        |    |      |     |  |      |     |
| F6750              | 3-4  | 210                | 95.2                   | U, V       |                |   |            |                        |               |       |            |                |      |            |               |    |              |          |      |      |         |  |      |  |    |        |     |        |        |    |   |     |     |      |      |       |     |     |      |            |                                      |     |                    |  |                    |       |     |  |  |  |      |     |  |  |  |     |        |    |      |     |  |      |     |
| R6600              | 3-5  | 105                | 95.2                   | U, 0, V, 0 |                |   |            |                        |               |       |            |                |      |            |               |    |              |          |      |      |         |  |      |  |    |        |     |        |        |    |   |     |     |      |      |       |     |     |      |            |                                      |     |                    |  |                    |       |     |  |  |  |      |     |  |  |  |     |        |    |      |     |  |      |     |
| F6450              | 2-5  | 温度上昇限度 巻線65K, 油60K |                        |            |                |   |            |                        |               |       |            |                |      |            |               |    |              |          |      |      |         |  |      |  |    |        |     |        |        |    |   |     |     |      |      |       |     |     |      |            |                                      |     |                    |  |                    |       |     |  |  |  |      |     |  |  |  |     |        |    |      |     |  |      |     |
| F6300              | 2-6  |                    |                        |            |                |   |            |                        |               |       |            |                |      |            |               |    |              |          |      |      |         |  |      |  |    |        |     |        |        |    |   |     |     |      |      |       |     |     |      |            |                                      |     |                    |  |                    |       |     |  |  |  |      |     |  |  |  |     |        |    |      |     |  |      |     |
| 6150               | 1-6  |                    |                        |            |                |   |            |                        |               |       |            |                |      |            |               |    |              |          |      |      |         |  |      |  |    |        |     |        |        |    |   |     |     |      |      |       |     |     |      |            |                                      |     |                    |  |                    |       |     |  |  |  |      |     |  |  |  |     |        |    |      |     |  |      |     |
| 総質量                | 140 kg   |                    |                        |            |                |   |            |                        |               |       |            |                |      |            |               |    |              |          |      |      |         |  |      |  |    |        |     |        |        |    |   |     |     |      |      |       |     |     |      |            |                                      |     |                    |  |                    |       |     |  |  |  |      |     |  |  |  |     |        |    |      |     |  |      |     |
| 油量                 | 36 L   |                    |                        |            |                |   |            |                        |               |       |            |                |      |            |               |    |              |          |      |      |         |  |      |  |    |        |     |        |        |    |   |     |     |      |      |       |     |     |      |            |                                      |     |                    |  |                    |       |     |  |  |  |      |     |  |  |  |     |        |    |      |     |  |      |     |
| 製造年                |  |                    |                        |            |                |   |            |                        |               |       |            |                |      |            |               |    |              |          |      |      |         |  |      |  |    |        |     |        |        |    |   |     |     |      |      |       |     |     |      |            |                                      |     |                    |  |                    |       |     |  |  |  |      |     |  |  |  |     |        |    |      |     |  |      |     |
| 製造番号               | JDK  |                    |                        |            |                |   |            |                        |               |       |            |                |      |            |               |    |              |          |      |      |         |  |      |  |    |        |     |        |        |    |   |     |     |      |      |       |     |     |      |            |                                      |     |                    |  |                    |       |     |  |  |  |      |     |  |  |  |     |        |    |      |     |  |      |     |
| B                  | <div style="display: flex; justify-content: space-between; align-items: center;"> <div style="width: 60%;"></div> <div style="width: 30%; text-align: right;"> <p>115</p> </div> </div>  |                    |                        |            |                |   |            |                        |               |       |            |                |      |            |               |    |              |          |      |      |         |  |      |  |    |        |     |        |        |    |   |     |     |      |      |       |     |     |      |            |                                      |     |                    |  |                    |       |     |  |  |  |      |     |  |  |  |     |        |    |      |     |  |      |     |
| C                  | <div style="display: flex; justify-content: space-between; align-items: center;"> <div style="width: 60%;"></div> <div style="width: 30%; text-align: right;"> <p>60</p> </div> </div>   |                    |                        |            |                |   |            |                        |               |       |            |                |      |            |               |    |              |          |      |      |         |  |      |  |    |        |     |        |        |    |   |     |     |      |      |       |     |     |      |            |                                      |     |                    |  |                    |       |     |  |  |  |      |     |  |  |  |     |        |    |      |     |  |      |     |
| D                  | <p>厚さ t0.5</p> <p>材質 SUS304</p>  |                    |                        |            |                |   |            |                        |               |       |            |                |      |            |               |    |              |          |      |      |         |  |      |  |    |        |     |        |        |    |   |     |     |      |      |       |     |     |      |            |                                      |     |                    |  |                    |       |     |  |  |  |      |     |  |  |  |     |        |    |      |     |  |      |     |
| E                  | <table border="1" style="width: 100%; border-collapse: collapse;"> <tr> <td>承認 APPROVED BY</td> <td>海老沼</td> <td>2014-02-05</td> <td rowspan="4" style="vertical-align: middle; text-align: center;">           名称 TITLE<br/> <b>銘板図</b> </td> </tr> <tr> <td>調査 CHECKED BY</td> <td>田口</td> <td>2014-02-05</td> </tr> <tr> <td>設計 DESIGNED BY</td> <td>石島</td> <td>2014-02-05</td> </tr> <tr> <td>尺度 SCALE</td> <td>1/</td> <td>単位 UNITS m m</td> </tr> </table>  |                    |                        |            | 承認 APPROVED BY | 海老沼   | 2014-02-05 | 名称 TITLE<br><b>銘板図</b> | 調査 CHECKED BY | 田口    | 2014-02-05 | 設計 DESIGNED BY | 石島   | 2014-02-05 | 尺度 SCALE      | 1/ | 単位 UNITS m m |          |      |      |         |  |      |  |    |        |     |        |        |    |   |     |     |      |      |       |     |     |      |            |                                      |     |                    |  |                    |       |     |  |  |  |      |     |  |  |  |     |        |    |      |     |  |      |     |
| 承認 APPROVED BY     | 海老沼  | 2014-02-05         | 名称 TITLE<br><b>銘板図</b> |            |                |   |            |                        |               |       |            |                |      |            |               |    |              |          |      |      |         |  |      |  |    |        |     |        |        |    |   |     |     |      |      |       |     |     |      |            |                                      |     |                    |  |                    |       |     |  |  |  |      |     |  |  |  |     |        |    |      |     |  |      |     |
| 調査 CHECKED BY      | 田口   | 2014-02-05         |                        |            |                |   |            |                        |               |       |            |                |      |            |               |    |              |          |      |      |         |  |      |  |    |        |     |        |        |    |   |     |     |      |      |       |     |     |      |            |                                      |     |                    |  |                    |       |     |  |  |  |      |     |  |  |  |     |        |    |      |     |  |      |     |
| 設計 DESIGNED BY     | 石島   | 2014-02-05         |                        |            |                |   |            |                        |               |       |            |                |      |            |               |    |              |          |      |      |         |  |      |  |    |        |     |        |        |    |   |     |     |      |      |       |     |     |      |            |                                      |     |                    |  |                    |       |     |  |  |  |      |     |  |  |  |     |        |    |      |     |  |      |     |
| 尺度 SCALE           | 1/   | 単位 UNITS m m       |                        |            |                |   |            |                        |               |       |            |                |      |            |               |    |              |          |      |      |         |  |      |  |    |        |     |        |        |    |   |     |     |      |      |       |     |     |      |            |                                      |     |                    |  |                    |       |     |  |  |  |      |     |  |  |  |     |        |    |      |     |  |      |     |
| F                  | <table border="1" style="width: 100%; border-collapse: collapse;"> <tr> <td style="width: 10%;"></td> <td style="width: 10%;"></td> <td style="width: 10%;"></td> <td style="width: 10%;"></td> <td style="width: 10%;"></td> <td style="width: 10%;"></td> <td style="width: 10%;"></td> <td style="width: 10%;"></td> <td style="width: 10%;"></td> <td style="width: 10%;"></td> </tr> <tr> <td>△</td> <td></td> <td></td> <td></td> <td></td> <td></td> <td></td> <td></td> <td></td> <td></td> </tr> <tr> <td>変更</td> <td>担当</td> <td>年月日</td> <td>記事</td> <td>調査</td> <td>承認</td> <td colspan="4" style="text-align: center;"> <b>株式会社 東光高岳</b><br/> <b>TAKAOKA TOKO CO., LTD.</b> </td> </tr> <tr> <td colspan="6"></td> <td colspan="4" style="text-align: center;">           図面番号 DRAWING NO.<br/> <b>NSA001859</b> </td> </tr> <tr> <td colspan="10" style="text-align: center;">           秘密情報 目的外使用・複製・開示禁止         </td> </tr> </table>   |                    |                        |            |                |   |            |                        |               |       |            |                |      |            | △             |    |              |          |      |      |         |  |      |  | 変更 | 担当     | 年月日 | 記事     | 調査     | 承認 | <b>株式会社 東光高岳</b><br><b>TAKAOKA TOKO CO., LTD.</b> |     |     |      |      |       |     |     |      |            | 図面番号 DRAWING NO.<br><b>NSA001859</b> |     |                    |  | 秘密情報 目的外使用・複製・開示禁止 |       |     |  |  |  |      |     |  |  |  |     |        |    |      |     |  |      |     |
|                    |  |                    |                        |            |                |   |            |                        |               |       |            |                |      |            |               |    |              |          |      |      |         |  |      |  |    |        |     |        |        |    |   |     |     |      |      |       |     |     |      |            |                                      |     |                    |  |                    |       |     |  |  |  |      |     |  |  |  |     |        |    |      |     |  |      |     |
| △                  |  |                    |                        |            |                |   |            |                        |               |       |            |                |      |            |               |    |              |          |      |      |         |  |      |  |    |        |     |        |        |    |   |     |     |      |      |       |     |     |      |            |                                      |     |                    |  |                    |       |     |  |  |  |      |     |  |  |  |     |        |    |      |     |  |      |     |
| 変更                 | 担当   | 年月日                | 記事                     | 調査         | 承認             | <b>株式会社 東光高岳</b><br><b>TAKAOKA TOKO CO., LTD.</b> |            |                        |               |       |            |                |      |            |               |    |              |          |      |      |         |  |      |  |    |        |     |        |        |    |   |     |     |      |      |       |     |     |      |            |                                      |     |                    |  |                    |       |     |  |  |  |      |     |  |  |  |     |        |    |      |     |  |      |     |
|                    |  |                    |                        |            |                | 図面番号 DRAWING NO.<br><b>NSA001859</b>              |            |                        |               |       |            |                |      |            |               |    |              |          |      |      |         |  |      |  |    |        |     |        |        |    |   |     |     |      |      |       |     |     |      |            |                                      |     |                    |  |                    |       |     |  |  |  |      |     |  |  |  |     |        |    |      |     |  |      |     |
| 秘密情報 目的外使用・複製・開示禁止 |  |                    |                        |            |                |   |            |                        |               |       |            |                |      |            |               |    |              |          |      |      |         |  |      |  |    |        |     |        |        |    |   |     |     |      |      |       |     |     |      |            |                                      |     |                    |  |                    |       |     |  |  |  |      |     |  |  |  |     |        |    |      |     |  |      |     |

|      |                              |     |
|------|------------------------------|-----|
| 容量   | 30                           | kVA |
| 相数   | 1                            |     |
| 周波数  | 50 / 60                      | Hz  |
| 一次電圧 | F6.75/R6.6/F6.45/F6.3/6.15kV |     |
| 二次電圧 | 210/105                      | V   |
| 油量   | 46                           | l   |
| 総質量  | 165                          | kg  |
| 表面処理 | 亜鉛めっき+塗装                     |     |

A

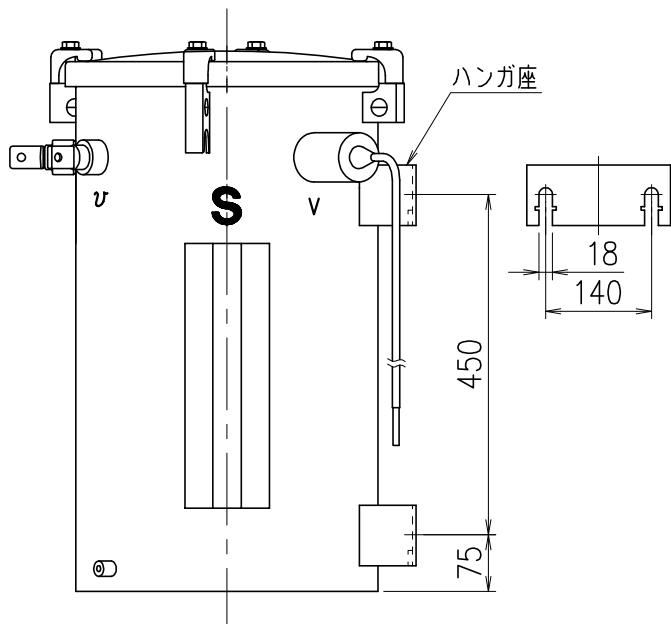
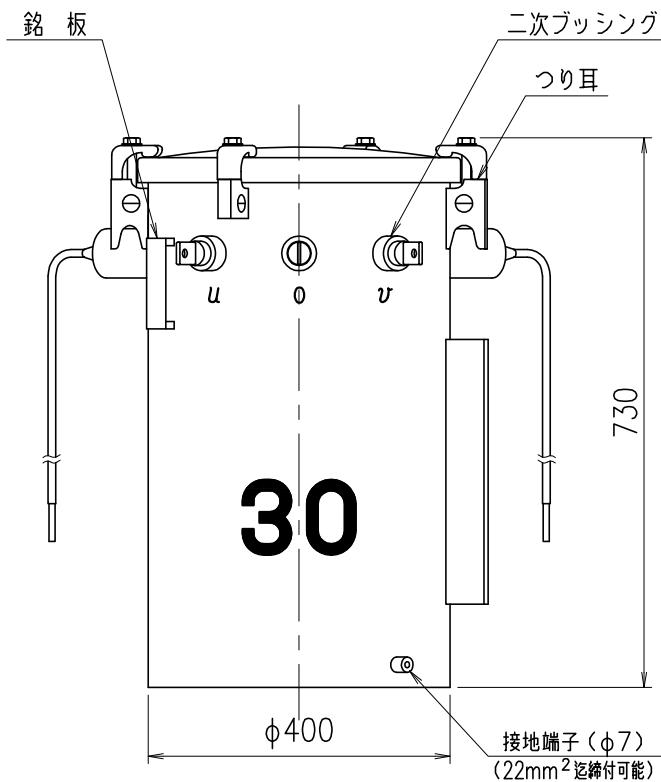


B



二次端子詳細図

C



D

E

|              |       |
|--------------|-------|
| 塗装色 (マンセル記号) | ( )   |
| 発送時タップ電圧     | ( ) V |

|                |      |            |           |
|----------------|------|------------|-----------|
| 承認 APPROVED BY | 海老沼  | 2014-02-11 | 名称 TITLE  |
| 調査 CHECKED BY  | 田口   | 2014-02-11 | トッランナー変圧器 |
| 設計 DESIGNED BY | 石島   | 2014-02-11 |           |
| 尺度 SCALE       | 1/10 | 単位 UNITS   | mm        |

F

|    |    |     |    |    |    |
|----|----|-----|----|----|----|
| △  |    |     |    |    |    |
| 変更 | 担当 | 年月日 | 記事 | 調査 | 承認 |



株式会社 東光高岳  
TAKAOKA TOKO CO., LTD.

トッランナー変圧器2014  
図面番号 DRAWING NO.  
**NSA001484**  
秘密情報 目的外使用・複製・開示禁止

|                | 1   | 2                  | 3   | 4            |                |     |            |   |               |    |            |                |    |            |          |        |                  |  |  |       |          |  |  |  |         |  |      |  |  |        |    |        |        |    |       |     |     |     |      |       |     |     |     |            |       |     |                    |  |  |       |     |  |  |  |      |     |  |  |  |     |        |    |      |     |  |      |     |
|----------------|---|--------------------|---|--------------|----------------|-----|------------|---|---------------|----|------------|----------------|----|------------|----------|--------|------------------|--|--|-------|----------|--|--|--|---------|--|------|--|--|--------|----|--------|--------|----|-------|-----|-----|-----|------|-------|-----|-----|-----|------------|-------|-----|--------------------|--|--|-------|-----|--|--|--|------|-----|--|--|--|-----|--------|----|------|-----|--|------|-----|
| A              | <div data-bbox="582 353 1197 1361" data-label="Complex-Block"> <p style="text-align: center;"><b>強化耐塩形変圧器</b></p> <p style="text-align: center;">油入自冷式</p> <p>JIS C 4304 (2013)</p> <table border="1" style="width: 100%;"> <tr> <td>相数</td> <td>1</td> <td>定格電圧</td> <td>一次 6600 V</td> <td>二次 210/105 V</td> </tr> <tr> <td>形式</td> <td>PS-DW</td> <td colspan="3">短絡インピーダンス (%)</td> </tr> <tr> <td>定格容量</td> <td>30 kVA</td> <td colspan="3">50Hz      60Hz</td> </tr> <tr> <td>定格周波数</td> <td>50/60 Hz</td> <td colspan="3"></td> </tr> </table> <table border="1" style="width: 100%;"> <tr> <th colspan="2">一次タップ電圧</th> <th colspan="3">定格二次</th> </tr> <tr> <th>電圧 (V)</th> <th>接続</th> <th>電圧 (V)</th> <th>電流 (A)</th> <th>端子</th> </tr> <tr> <td>F6750</td> <td>3-4</td> <td>210</td> <td>143</td> <td>U, V</td> </tr> <tr> <td>R6600</td> <td>3-5</td> <td>105</td> <td>143</td> <td>U, 0, V, 0</td> </tr> <tr> <td>F6450</td> <td>2-5</td> <td colspan="3">温度上昇限度 巻線65K, 油60K</td> </tr> <tr> <td>F6300</td> <td>2-6</td> <td colspan="3"></td> </tr> <tr> <td>6150</td> <td>1-6</td> <td colspan="3"></td> </tr> </table> <div style="text-align: center;"> </div> <table border="1" style="width: 100%;"> <tr> <td>総質量</td> <td>165 kg</td> </tr> <tr> <td>油量</td> <td>46 L</td> </tr> <tr> <td>製造年</td> <td></td> </tr> <tr> <td>製造番号</td> <td>JEK</td> </tr> </table> <div style="border: 1px solid black; padding: 5px; margin-top: 10px;"> <ul style="list-style-type: none"> <li>・危険物の品名：第四類第三石油類</li> <li>・危険物の等級：Ⅲ</li> <li>・化学名：絶縁油</li> <li>・注意事項：火気厳禁</li> <li>・20度の温度における内容積：71 L</li> <li>・運搬容器の自重：126 kg</li> </ul> </div> <p style="text-align: right;">NSB007755P3</p> <p style="text-align: center;"><b>株式会社 東光高岳</b></p> </div> |                    |   |              | 相数             | 1   | 定格電圧       | 一次 6600 V   | 二次 210/105 V  | 形式 | PS-DW      | 短絡インピーダンス (%)  |    |            | 定格容量     | 30 kVA | 50Hz      60Hz   |  |  | 定格周波数 | 50/60 Hz |  |  |  | 一次タップ電圧 |  | 定格二次 |  |  | 電圧 (V) | 接続 | 電圧 (V) | 電流 (A) | 端子 | F6750 | 3-4 | 210 | 143 | U, V | R6600 | 3-5 | 105 | 143 | U, 0, V, 0 | F6450 | 2-5 | 温度上昇限度 巻線65K, 油60K |  |  | F6300 | 2-6 |  |  |  | 6150 | 1-6 |  |  |  | 総質量 | 165 kg | 油量 | 46 L | 製造年 |  | 製造番号 | JEK |
| 相数             | 1   | 定格電圧               | 一次 6600 V   | 二次 210/105 V |                |     |            |   |               |    |            |                |    |            |          |        |                  |  |  |       |          |  |  |  |         |  |      |  |  |        |    |        |        |    |       |     |     |     |      |       |     |     |     |            |       |     |                    |  |  |       |     |  |  |  |      |     |  |  |  |     |        |    |      |     |  |      |     |
| 形式             | PS-DW   | 短絡インピーダンス (%)      |   |              |                |     |            |   |               |    |            |                |    |            |          |        |                  |  |  |       |          |  |  |  |         |  |      |  |  |        |    |        |        |    |       |     |     |     |      |       |     |     |     |            |       |     |                    |  |  |       |     |  |  |  |      |     |  |  |  |     |        |    |      |     |  |      |     |
| 定格容量           | 30 kVA  | 50Hz      60Hz     |   |              |                |     |            |   |               |    |            |                |    |            |          |        |                  |  |  |       |          |  |  |  |         |  |      |  |  |        |    |        |        |    |       |     |     |     |      |       |     |     |     |            |       |     |                    |  |  |       |     |  |  |  |      |     |  |  |  |     |        |    |      |     |  |      |     |
| 定格周波数          | 50/60 Hz  |                    |   |              |                |     |            |   |               |    |            |                |    |            |          |        |                  |  |  |       |          |  |  |  |         |  |      |  |  |        |    |        |        |    |       |     |     |     |      |       |     |     |     |            |       |     |                    |  |  |       |     |  |  |  |      |     |  |  |  |     |        |    |      |     |  |      |     |
| 一次タップ電圧        |   | 定格二次               |   |              |                |     |            |   |               |    |            |                |    |            |          |        |                  |  |  |       |          |  |  |  |         |  |      |  |  |        |    |        |        |    |       |     |     |     |      |       |     |     |     |            |       |     |                    |  |  |       |     |  |  |  |      |     |  |  |  |     |        |    |      |     |  |      |     |
| 電圧 (V)         | 接続  | 電圧 (V)             | 電流 (A)  | 端子           |                |     |            |   |               |    |            |                |    |            |          |        |                  |  |  |       |          |  |  |  |         |  |      |  |  |        |    |        |        |    |       |     |     |     |      |       |     |     |     |            |       |     |                    |  |  |       |     |  |  |  |      |     |  |  |  |     |        |    |      |     |  |      |     |
| F6750          | 3-4   | 210                | 143   | U, V         |                |     |            |   |               |    |            |                |    |            |          |        |                  |  |  |       |          |  |  |  |         |  |      |  |  |        |    |        |        |    |       |     |     |     |      |       |     |     |     |            |       |     |                    |  |  |       |     |  |  |  |      |     |  |  |  |     |        |    |      |     |  |      |     |
| R6600          | 3-5   | 105                | 143   | U, 0, V, 0   |                |     |            |   |               |    |            |                |    |            |          |        |                  |  |  |       |          |  |  |  |         |  |      |  |  |        |    |        |        |    |       |     |     |     |      |       |     |     |     |            |       |     |                    |  |  |       |     |  |  |  |      |     |  |  |  |     |        |    |      |     |  |      |     |
| F6450          | 2-5   | 温度上昇限度 巻線65K, 油60K |   |              |                |     |            |   |               |    |            |                |    |            |          |        |                  |  |  |       |          |  |  |  |         |  |      |  |  |        |    |        |        |    |       |     |     |     |      |       |     |     |     |            |       |     |                    |  |  |       |     |  |  |  |      |     |  |  |  |     |        |    |      |     |  |      |     |
| F6300          | 2-6   |                    |   |              |                |     |            |   |               |    |            |                |    |            |          |        |                  |  |  |       |          |  |  |  |         |  |      |  |  |        |    |        |        |    |       |     |     |     |      |       |     |     |     |            |       |     |                    |  |  |       |     |  |  |  |      |     |  |  |  |     |        |    |      |     |  |      |     |
| 6150           | 1-6   |                    |   |              |                |     |            |   |               |    |            |                |    |            |          |        |                  |  |  |       |          |  |  |  |         |  |      |  |  |        |    |        |        |    |       |     |     |     |      |       |     |     |     |            |       |     |                    |  |  |       |     |  |  |  |      |     |  |  |  |     |        |    |      |     |  |      |     |
| 総質量            | 165 kg  |                    |   |              |                |     |            |   |               |    |            |                |    |            |          |        |                  |  |  |       |          |  |  |  |         |  |      |  |  |        |    |        |        |    |       |     |     |     |      |       |     |     |     |            |       |     |                    |  |  |       |     |  |  |  |      |     |  |  |  |     |        |    |      |     |  |      |     |
| 油量             | 46 L  |                    |   |              |                |     |            |   |               |    |            |                |    |            |          |        |                  |  |  |       |          |  |  |  |         |  |      |  |  |        |    |        |        |    |       |     |     |     |      |       |     |     |     |            |       |     |                    |  |  |       |     |  |  |  |      |     |  |  |  |     |        |    |      |     |  |      |     |
| 製造年            |   |                    |   |              |                |     |            |   |               |    |            |                |    |            |          |        |                  |  |  |       |          |  |  |  |         |  |      |  |  |        |    |        |        |    |       |     |     |     |      |       |     |     |     |            |       |     |                    |  |  |       |     |  |  |  |      |     |  |  |  |     |        |    |      |     |  |      |     |
| 製造番号           | JEK   |                    |   |              |                |     |            |   |               |    |            |                |    |            |          |        |                  |  |  |       |          |  |  |  |         |  |      |  |  |        |    |        |        |    |       |     |     |     |      |       |     |     |     |            |       |     |                    |  |  |       |     |  |  |  |      |     |  |  |  |     |        |    |      |     |  |      |     |
| B              |   |                    |   |              |                |     |            |   |               |    |            |                |    |            |          |        |                  |  |  |       |          |  |  |  |         |  |      |  |  |        |    |        |        |    |       |     |     |     |      |       |     |     |     |            |       |     |                    |  |  |       |     |  |  |  |      |     |  |  |  |     |        |    |      |     |  |      |     |
| C              |   |                    |   |              |                |     |            |   |               |    |            |                |    |            |          |        |                  |  |  |       |          |  |  |  |         |  |      |  |  |        |    |        |        |    |       |     |     |     |      |       |     |     |     |            |       |     |                    |  |  |       |     |  |  |  |      |     |  |  |  |     |        |    |      |     |  |      |     |
| D              | 60  |                    |   |              |                |     |            |   |               |    |            |                |    |            |          |        |                  |  |  |       |          |  |  |  |         |  |      |  |  |        |    |        |        |    |       |     |     |     |      |       |     |     |     |            |       |     |                    |  |  |       |     |  |  |  |      |     |  |  |  |     |        |    |      |     |  |      |     |
| E              | 厚さ t0.5<br>材質 SUS304  |                    |   |              |                |     |            |   |               |    |            |                |    |            |          |        |                  |  |  |       |          |  |  |  |         |  |      |  |  |        |    |        |        |    |       |     |     |     |      |       |     |     |     |            |       |     |                    |  |  |       |     |  |  |  |      |     |  |  |  |     |        |    |      |     |  |      |     |
| F              | <table border="1" style="width: 100%;"> <tr> <td>承認 APPROVED BY</td> <td>海老沼</td> <td>2014-02-05</td> <td rowspan="4" style="vertical-align: top;">         名称 TITLE<br/> <div style="text-align: center; font-size: 24px;">銘板図</div> </td> </tr> <tr> <td>調査 CHECKED BY</td> <td>田口</td> <td>2014-02-05</td> </tr> <tr> <td>設計 DESIGNED BY</td> <td>石島</td> <td>2014-02-05</td> </tr> <tr> <td>尺度 SCALE</td> <td>1/</td> <td>☉ ≡ 単位 UNITS m m</td> </tr> </table> <div style="display: flex; justify-content: space-between; align-items: center; margin-top: 10px;"> <div style="text-align: center;"> <p><b>株式会社 東光高岳</b><br/>TAKAOKA TOKO CO., LTD.</p> </div> <div style="text-align: right;"> <p>図面番号 DRAWING NO.</p> <div style="font-size: 36px; font-weight: bold;">NSA001860</div> <p>秘密情報 目的外使用・複製・開示禁止</p> </div> </div>  |                    |   |              | 承認 APPROVED BY | 海老沼 | 2014-02-05 | 名称 TITLE<br><div style="text-align: center; font-size: 24px;">銘板図</div> | 調査 CHECKED BY | 田口 | 2014-02-05 | 設計 DESIGNED BY | 石島 | 2014-02-05 | 尺度 SCALE | 1/     | ☉ ≡ 単位 UNITS m m |  |  |       |          |  |  |  |         |  |      |  |  |        |    |        |        |    |       |     |     |     |      |       |     |     |     |            |       |     |                    |  |  |       |     |  |  |  |      |     |  |  |  |     |        |    |      |     |  |      |     |
| 承認 APPROVED BY | 海老沼   | 2014-02-05         | 名称 TITLE<br><div style="text-align: center; font-size: 24px;">銘板図</div> |              |                |     |            |   |               |    |            |                |    |            |          |        |                  |  |  |       |          |  |  |  |         |  |      |  |  |        |    |        |        |    |       |     |     |     |      |       |     |     |     |            |       |     |                    |  |  |       |     |  |  |  |      |     |  |  |  |     |        |    |      |     |  |      |     |
| 調査 CHECKED BY  | 田口  | 2014-02-05         |   |              |                |     |            |   |               |    |            |                |    |            |          |        |                  |  |  |       |          |  |  |  |         |  |      |  |  |        |    |        |        |    |       |     |     |     |      |       |     |     |     |            |       |     |                    |  |  |       |     |  |  |  |      |     |  |  |  |     |        |    |      |     |  |      |     |
| 設計 DESIGNED BY | 石島  | 2014-02-05         |   |              |                |     |            |   |               |    |            |                |    |            |          |        |                  |  |  |       |          |  |  |  |         |  |      |  |  |        |    |        |        |    |       |     |     |     |      |       |     |     |     |            |       |     |                    |  |  |       |     |  |  |  |      |     |  |  |  |     |        |    |      |     |  |      |     |
| 尺度 SCALE       | 1/  | ☉ ≡ 単位 UNITS m m   |   |              |                |     |            |   |               |    |            |                |    |            |          |        |                  |  |  |       |          |  |  |  |         |  |      |  |  |        |    |        |        |    |       |     |     |     |      |       |     |     |     |            |       |     |                    |  |  |       |     |  |  |  |      |     |  |  |  |     |        |    |      |     |  |      |     |